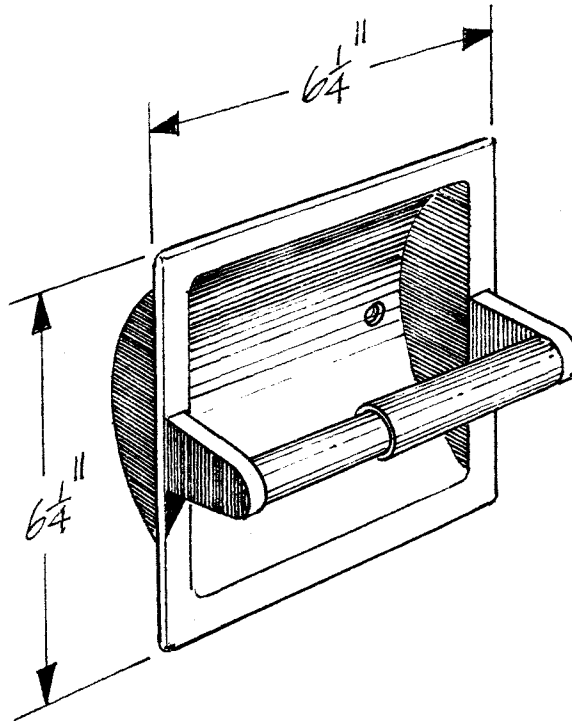
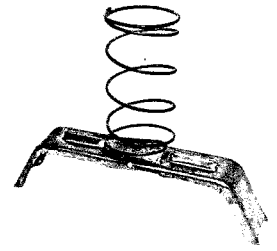


## RECESSED TOILET PAPER HOLDER WITH CHROME PLATED PLASTIC ROLLER



### INSTALLATION ACCESSORIES

- 430 INSTALLATION CLAMP WITH RETAINER SPRING
- 430LS INSTALLATION CLAMP LESS RETAINER SPRING



**CONSTRUCTION:** The 6 1/4"x6 1/4" shell is constructed of 25 ga. stainless steel. Roller and ears are chrome plated corrosion resistant plastic.

**OPERATION:** The recessed Toilet Paper Holder is to be installed into a 5 1/4"x5 1/4" hole 5 1/4"x5 1/4"x2"D hole.

**INSTALLATION:** Secure to studs or solid backing with mounting screws (included) at holes provided and use a clear silicone caulk (not included) behind the lips

**SPECIFICATION:** Recessed Toilet Paper Holder shall be constructed of stainless steel shell with chrome plated plastic ears and roller that installs directly to a solid backing.

**ORDER EXTRA:** May be used with #430 clamp for dry or #230 for mortar installation.

Rough opening=5 1/4"x5 1/4"x2"D

Overall dimensions=6 1/4"x6 1/4"

2/98