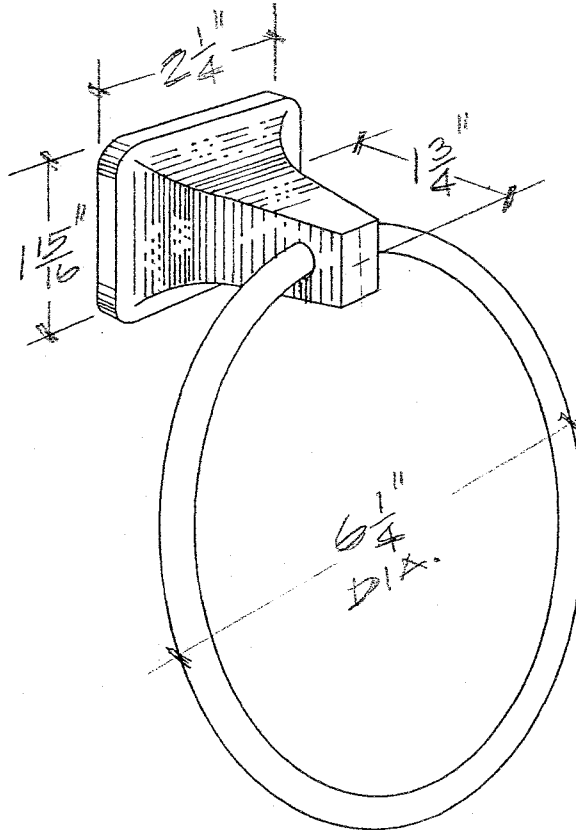


CHROME TOWEL RING



CONSTRUCTION:

Towel ring bracket is chrome plated zinc die-cast (zamak) designed for concealed screw mounting. Ring is chrome plated steel.

INSTALLATION:

Secure metal wall plate to stud or solid backing with mounting screws provided. Slip chrome towel ring over wall plate and tighten set screw until secure.

SPECIFICATION:

Chrome towel ring shall be model 716 by CWECO, Inc.