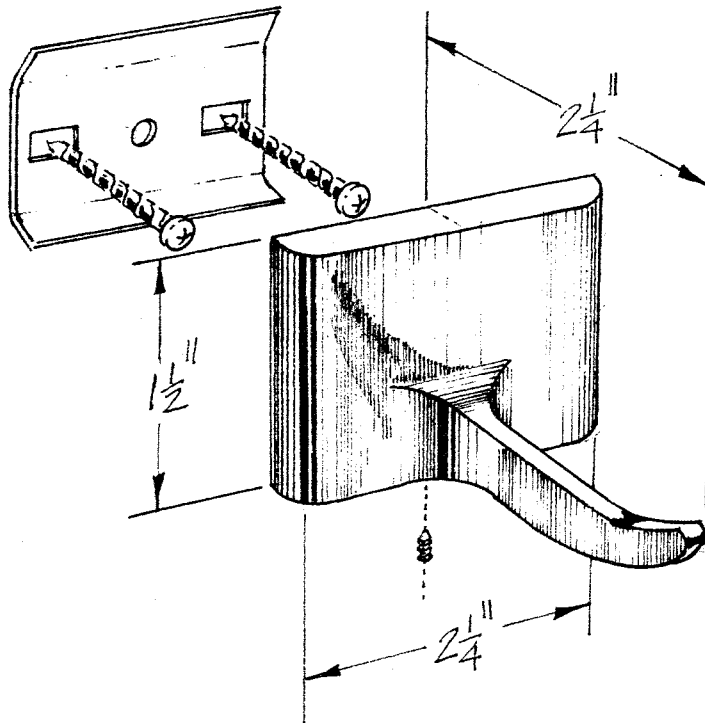


SINGLE ROBE HOOK

MOUNTING
BRACKET



CONSTRUCTION:

Single robe hook is chrome plated zinc die-cast (zamak) designed for concealed screw mounting.

INSTALLATION:

Secure metal wall plate to stud or solid backing with mounting screws provided. Slip single robe hook over wall plate and tighten set screw until secure.

SPECIFICATION:

Single robe hook shall be model 754 by CWECO, Inc.