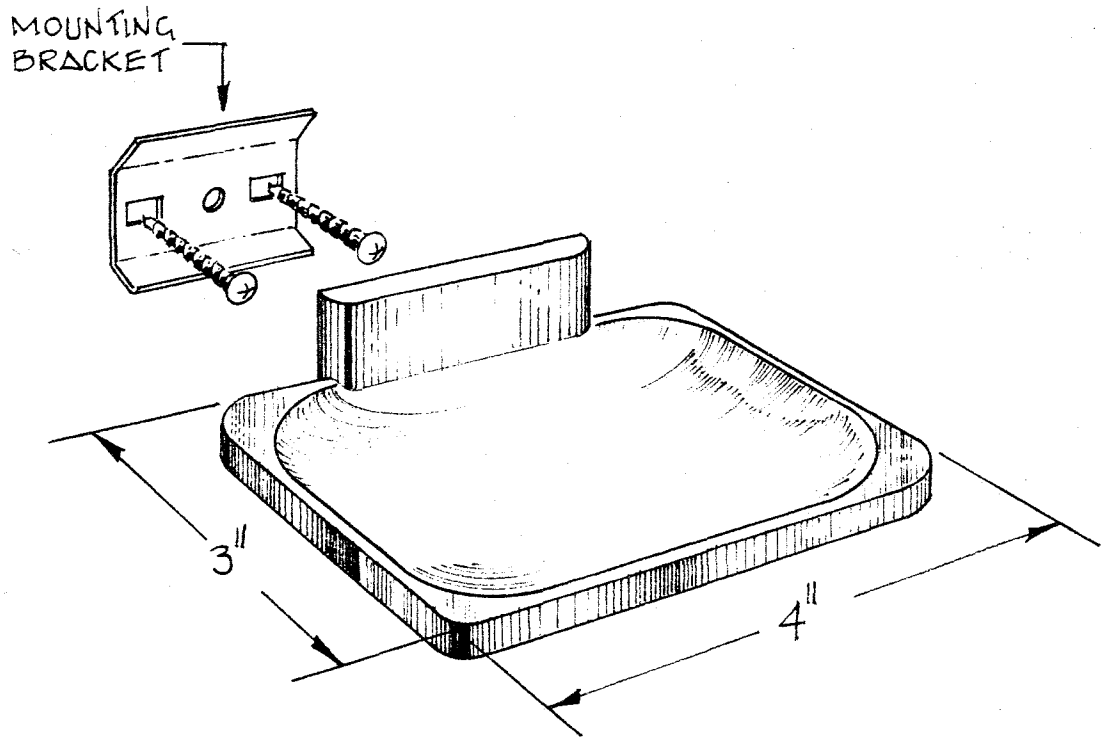


SOAP DISH



CONSTRUCTION: Soap dish is chrome plated zinc die-cast (zamak) designed for concealed screw mounting.

INSTALLATION: Secure metal wall plate to stud or solid backing with mounting screws provided. Slip soap dish over wall plate and tighten set screw until secure.

SPECIFICATION: Soap dish shall be model 759 by CWECO, Inc.