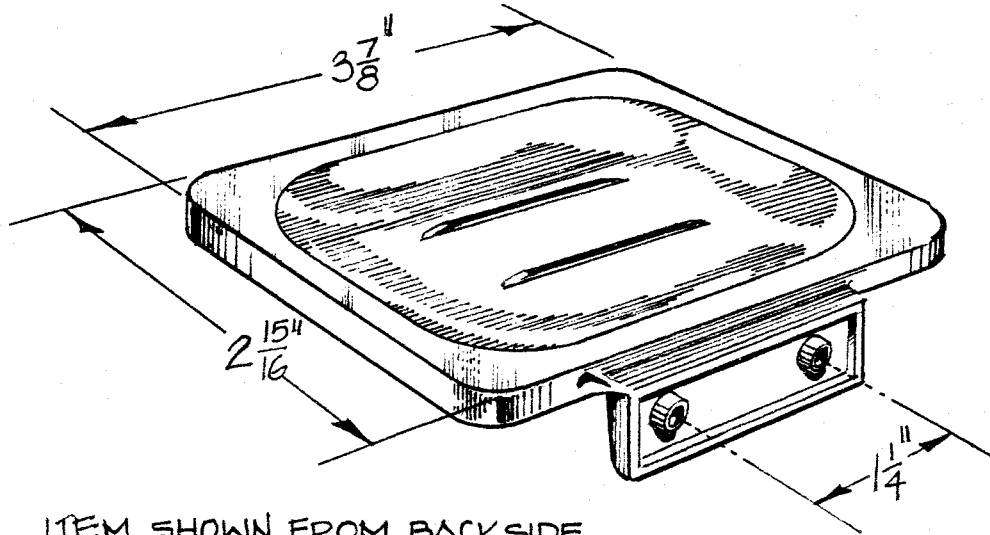


## SOAP DISH



ITEM SHOWN FROM BACKSIDE  
TO ILLUSTRATE MOUNTING  
BRACKET.

**CONSTRUCTION:** Soap dish is chrome plated zinc die-cast (zamak) designed for exposed screw mounting.

**INSTALLATION:** Secure to studs or solid backing with mounting screws provided.

**SPECIFICATION:** Soap dish shall be model 857 by CWECO, Inc.