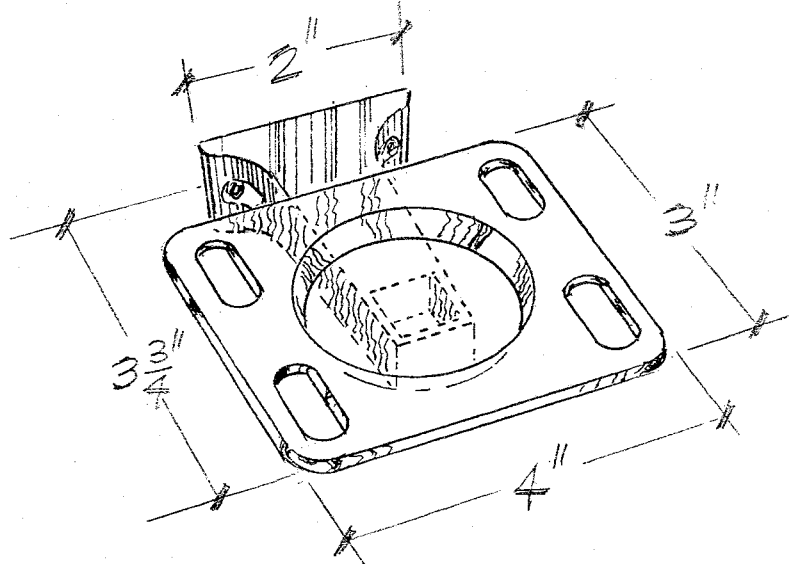


TOOTHBRUSH & TUMBLER HOLDER/ CRYSTAL TRAY



CONSTRUCTION:

Toothbrush & tumbler holder bracket is chrome plated zinc die-cast (zamak) designed for exposed screw mounting.

Toothbrush & tumbler holder crystal tray is clear plastic.

INSTALLATION:

Secure to studs or solid backing with mounting screws provided.

SPECIFICATION:

Toothbrush & tumbler holder shall be model 860 by CWECO, Inc.