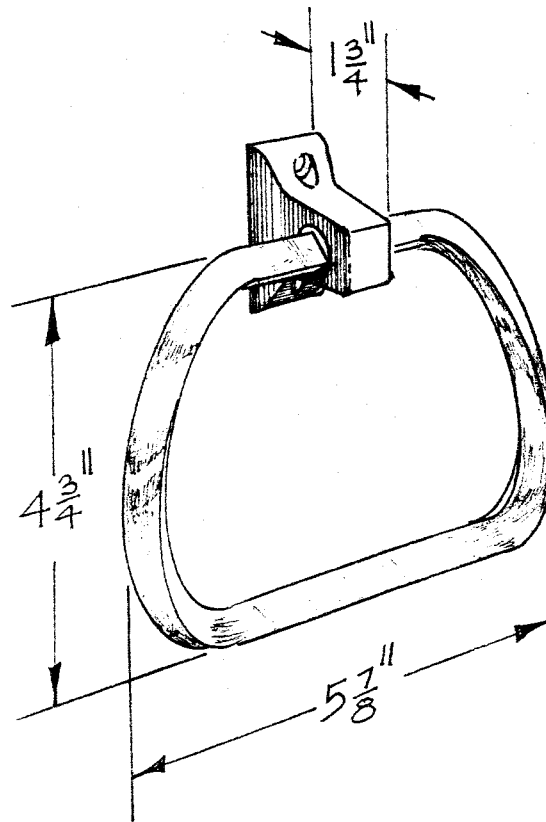


## TOWEL RING



### CONSTRUCTION:

Towel ring bracket is chrome plated zinc die-cast (zamak) designed for exposed screw mounting. Ring is clear lucite.

### INSTALLATION:

Secure to studs or solid backing with mounting screws provided.

### SPECIFICATION:

Towel ring shall be model 866 by CWECO, Inc.