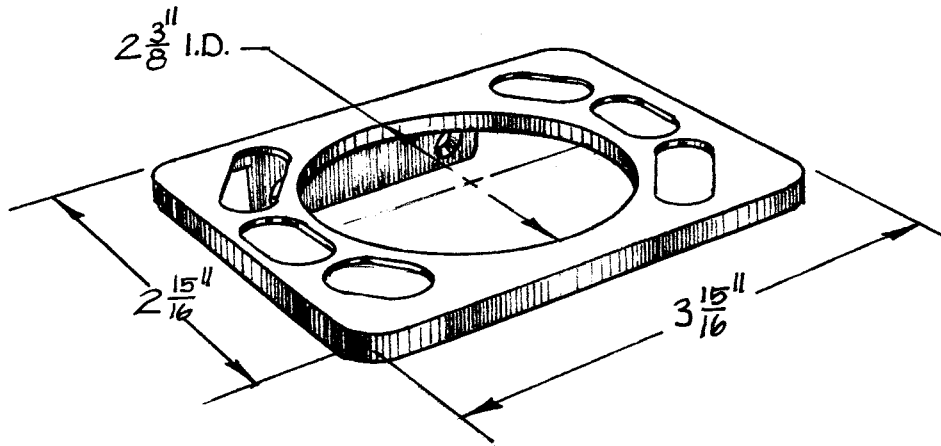


## TOOTHBRUSH & TUMBLER HOLDER



**CONSTRUCTION:** Toothbrush & tumbler holder is chrome plated zinc die-cast (zamak) designed for exposed screw mounting.

**INSTALLATION:** Secure to studs or solid backing with mounting screws provided.

**SPECIFICATION:** Toothbrush & tumbler holder shall be model 875 by CWECO, Inc.