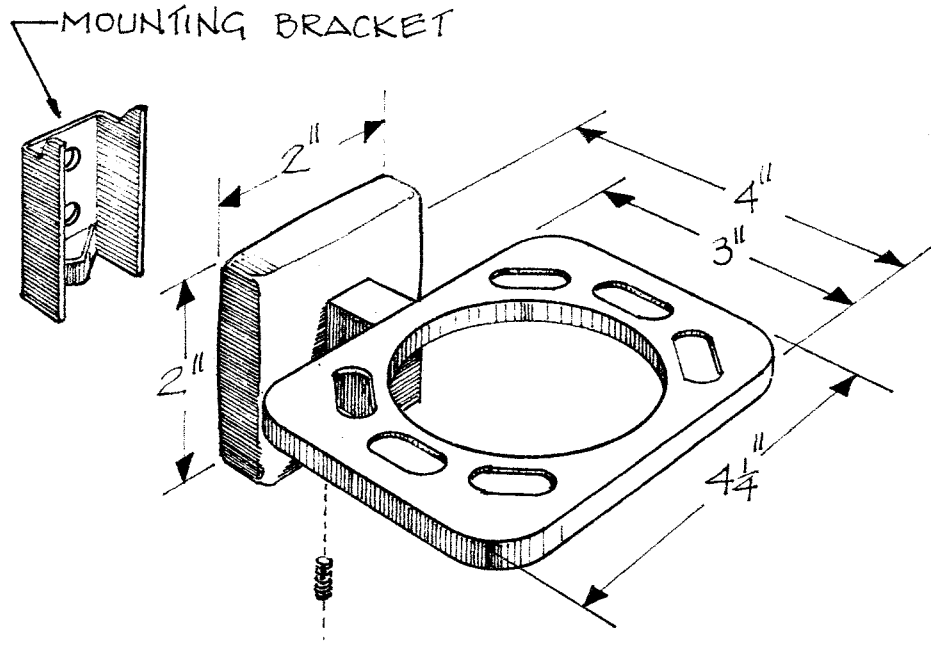


TOOTHBRUSH & TUMBLER HOLDER

Specify 5157 (satin SS) or B5157 (polished SS)



CONSTRUCTION:

Inner wall flange- 16 ga. type 304 stainless steel.
Cover wall flange- 22 ga. type 304 stainless steel.
Toothbrush & tumbler- 22 ga. type 304 stainless steel.
Wall plate- 16 ga. type 304 stainless steel.
All components welded construction designed for
concealed screw mounting.

INSTALLATION:

Secure stainless steel wall plate to stud or solid backing
with mounting screws provided. Slip toothbrush & tumbler
holder over wall plate and tighten set screw until secure.

SPECIFICATION:

Toothbrush & tumbler holder shall be model 5157 (satin SS)
or B5157 (polished SS) by CWECO, Inc.