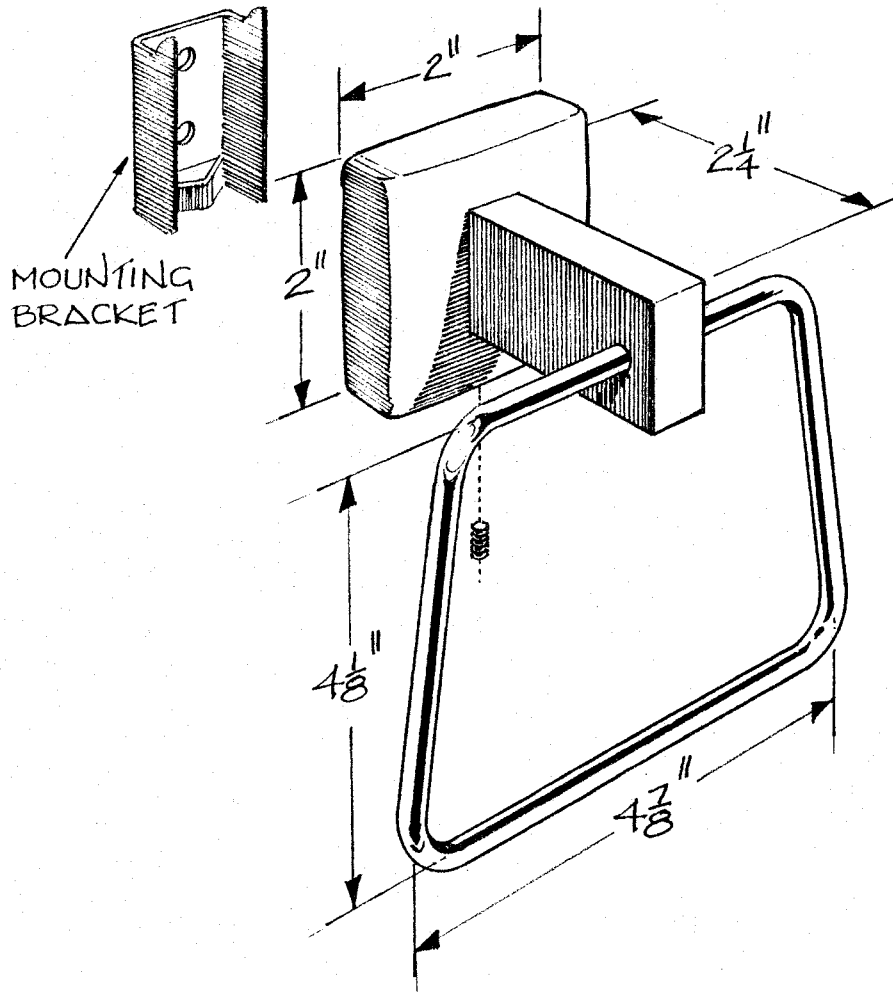


TOWEL RING

Specify 5166 (satin SS) or B5166 (polished SS)



CONSTRUCTION:

Inner wall flange- 16 ga. type 304 stainless steel.
Cover wall flange- 22 ga. type 304 stainless steel.
Projecting post- 22 ga. type 304 stainless steel.
Ring- 3/8" round x 12 ga. type 304 stainless steel.
Wall plate- 16 ga. type 304 stainless steel.
All components welded construction designed for concealed screw mounting.

INSTALLATION:

Secure stainless steel wall plate to stud or solid backing with mounting screws provided. Slip towel ring over wall plate and tighten set screw until secure.

SPECIFICATION:

Towel ring shall be model 5166 (satin SS) or B5166 (polished SS) by CWECO, Inc.