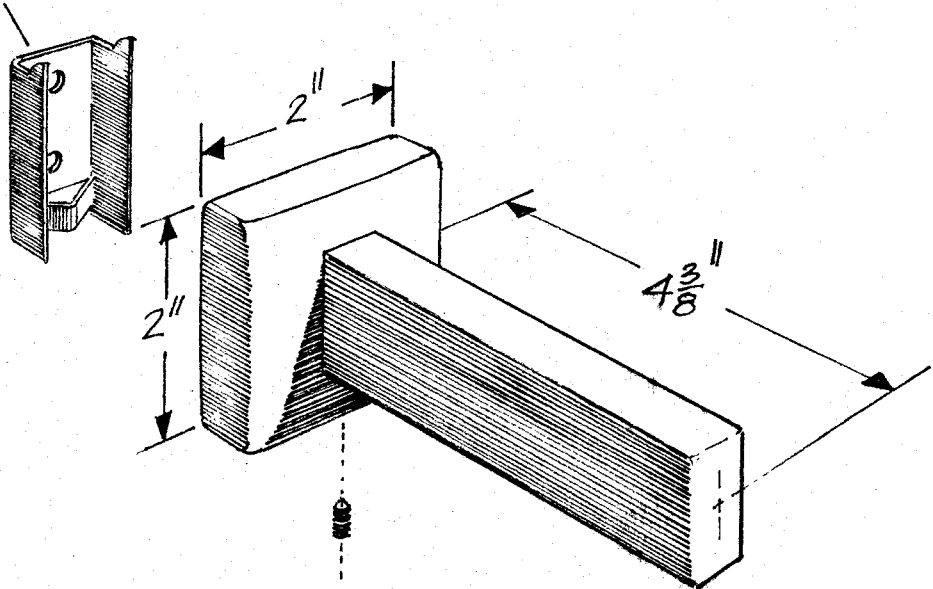


TOWEL PIN

Specify 5167 (satin SS) or B5167 (polished SS)

MOUNTING BRACKET



CONSTRUCTION:

Inner wall flange- 16 ga. type 304 stainless steel.

Cover wall flange- 22 ga. type 304 stainless steel.

Projecting pin- 22 ga. type 304 stainless steel.

Wall plate- 16 ga. type 304 stainless steel.

All components welded construction designed for concealed screw mounting.

INSTALLATION:

Secure stainless steel wall plate to stud or solid backing with mounting screws provided. Slip towel pin over wall plate and tighten set screw until secure.

SPECIFICATION:

Towel pin shall be model 5167 (satin SS) or B5167 (polished SS) by CWECO, Inc.