

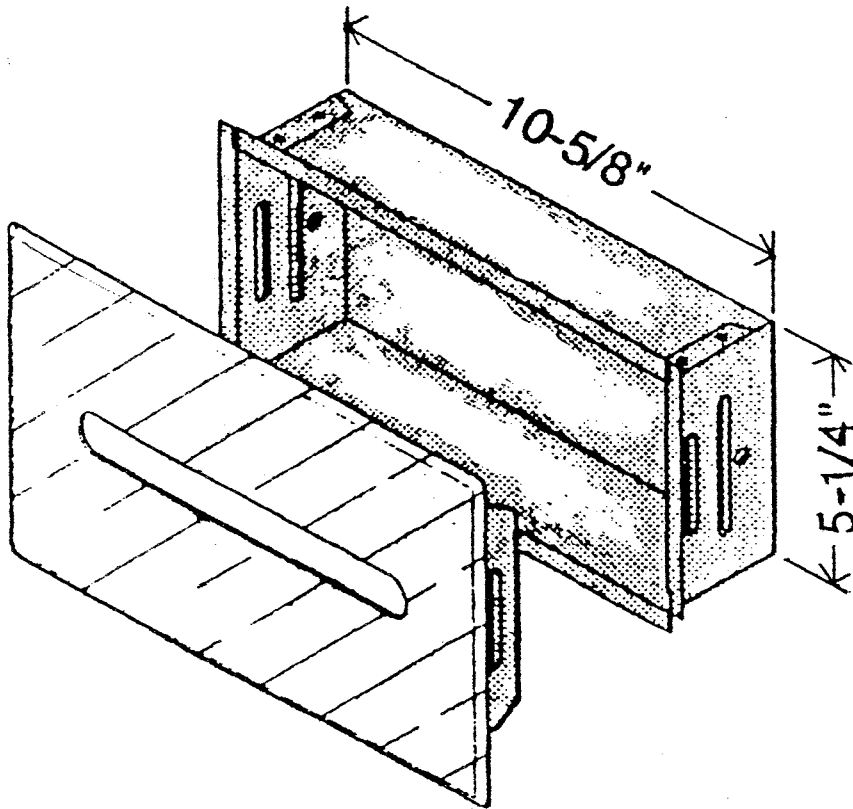
Cweco

P.O. BOX 2456, GARDENA, CA 90247-0456

CW41RSS

(800) 292-9326 OR (310) 538-9440--FAX:(800) 232-9326 OR (310) 715-9188

RECESSED FACIAL TISSUE DISPENSER



- CONSTRUCTION:** FACEPLATE FABRICATED OF STAINLESS STEEL.
CAPACITY: ONE BOX OF 200 FACIAL TISSUES.
OPERATION: SNAP-ON COVER
SPECIFICATION: RECESSED FACIAL TISSUE DISPENSER SNAP-ON COVER SHALL BE FABRICATED OF STAINLESS STEEL. HOLDS STANDARD BOX OF 200 TISSUES.
R.O.=10 5/8"W X 5 1/4"H X 2 5/8"D
O.A.=11 3/4"W X 6 1/4"H X 2 5/8"D

8/97