

Cweco

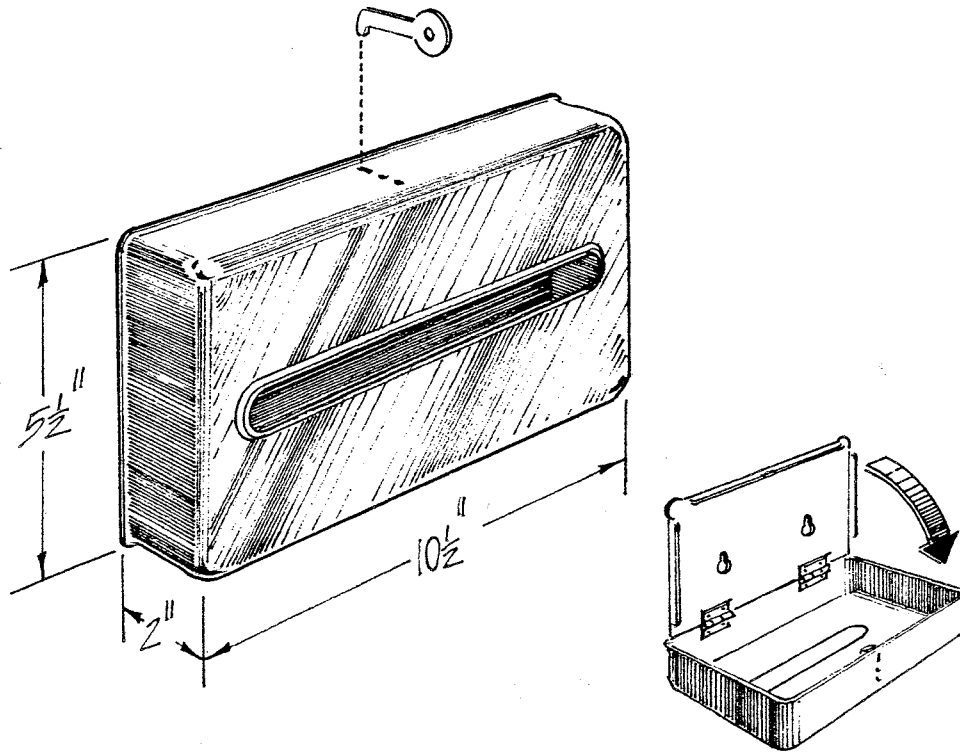
P.O. BOX 2456, GARDENA, CA 90247-0456

CW41SM

(800) 292-9326 OR (310) 538-9440--FAX:(800) 232-9326 OR (310) 715-9188

SURFACE MOUNT FACIAL TISSUE DISPENSER

Part number shall be CW41SM



CONSTRUCTION: Surface Mount Facial Tissue Dispenser is constructed of chrome plated heavy guage steel.
Constructed to fit 2" high facial tissue boxes.

OPERATION: Un-lock front face of dispenser and load facial tissue box, close the then lid and pull sheets through slot on the face.

INSTALLATION: Secure to studs or solid backing with mounting screws (included) at holes provided.

SPECIFICATION: Surface Mount Facial Tissue Dispenser #CW41SM shall be constructed of chrome plated heavy guage steel.

Overall dimensions: 10 1/2"w x 5 1/2"h x 2 1/8"d.