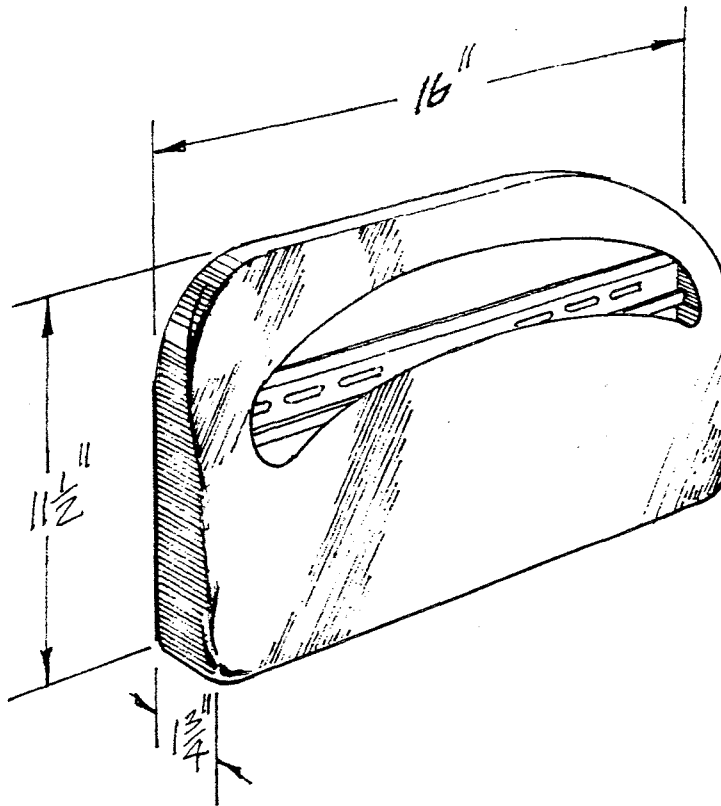


## CHROME TOILET SEAT COVER DISPENSER



**CONSTRUCTION:** The CW45C is fabricated of chrome plated steel.

**CAPACITY:** 500 seat cover capacity.

**OPERATION:** Insert pack of seat covers through front of dispenser.

**INSTALLATION:** Secure to studs or solid backing with mounting screws (included) at holes provided.

**SPECIFICATION:** Surface mounted Toilet Seat Cover Dispenser shall be fabricated of stamped steel chrome plated with mounting bar welded to back of unit.

Overall dimensions: 16"w x 11 1/2"h x 1 3/4"d.

7/96