

Cweco

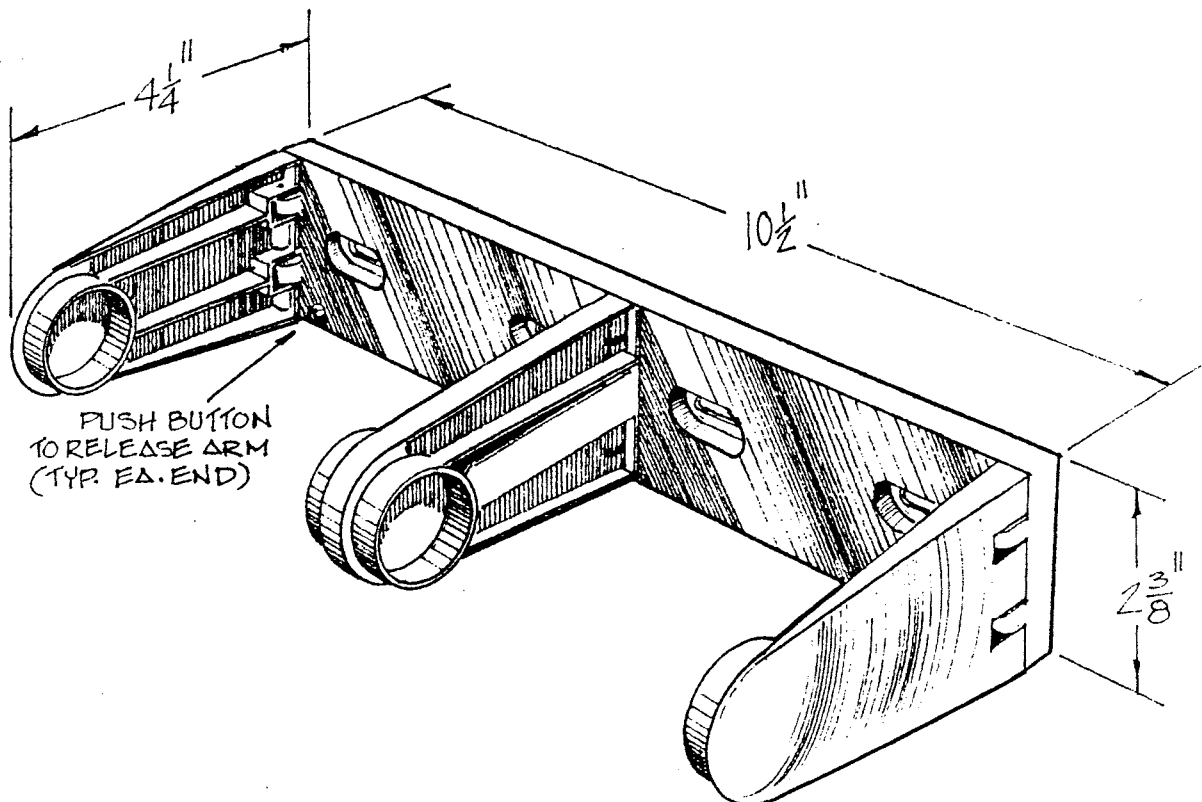
P.O. BOX 2456, GARDENA, CA 90247-0456

CW830

(800) 292-9326 OR (310) 538-9440--FAX:(800) 232-9326 OR (310) 715-9188

DOUBLE ROLL DELUXE T.P. HOLDER

Part number shall be CW830



CONSTRUCTION: Double Roll Toilet Paper Holder is fabricated of die cast polished zamak, and then a chrome plated finish is applied.

OPERATION: Chrome plated zamak Double Roll Toilet Paper Holder left and right support arms are released when buttons are pushed, which allow the old rolls to be removed and new paper added.

INSTALLATION: Secure to studs or solid backing with mounting screws (included) at holes provided.

SPECIFICATION: Surface mounted Double Roll Toilet Paper Holder #CW830 shall consist of chrome plated zamak and hold two standard rolls of toilet paper.

Overall dimensions: 10 1/2"W x 2 3/8"H x 4 1/4"D

2/98