

Cweco

Commercial Washroom Equipment Company Incorporated

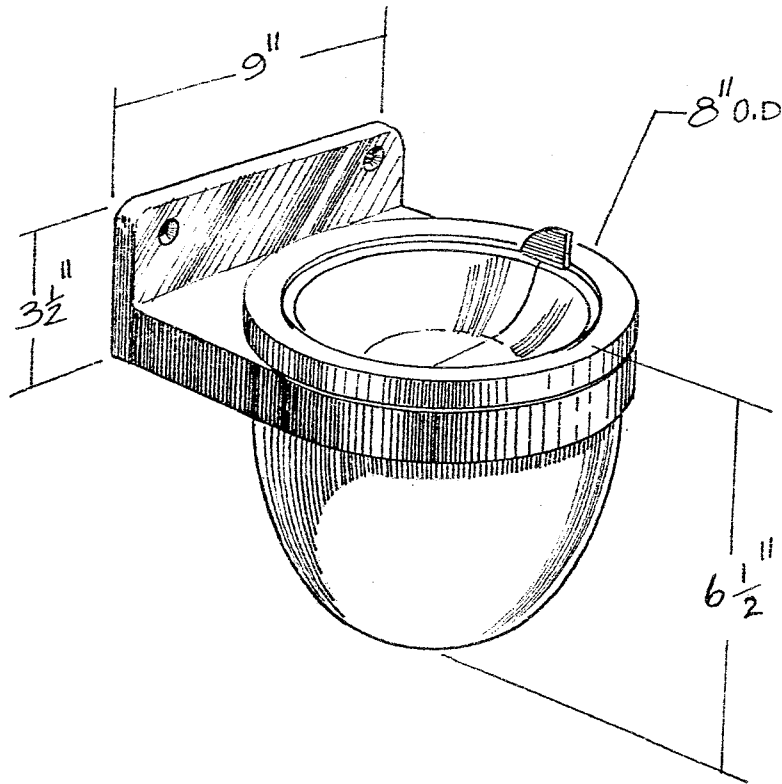
P.O. Box 2456, Gardena, CA 90247-0456 310-538-9440

1-800-292-9326 Outside CA FAX: 310-715-9188

FAX 1-800-232-9326

CWAT11

SURFACE MOUNTED ASH TRAY



- CONSTRUCTION:** Body is type 304 satin stainless steel.
Top & tip action blades are type 304 satin stainless steel.
Bracket is satin finish aluminum.
Removable liner is satin finish aluminum.
- OPERATION:** Tight closing tip action blades prevent smouldering.
Removable liner allows easy servicing.
- INSTALLATION:** Secure to stud or solid backing with mounting screws provided.
- SPECIFICATION:** Surface mounted ash tray shall be model CWAT11 by Cweco, Inc.