

Cweco

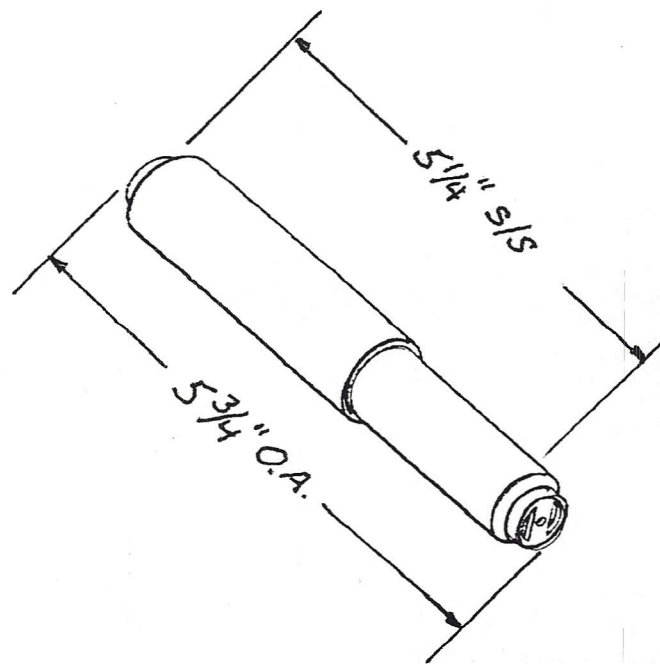
P.O. BOX 2456, GARDENA, CA 90247-0456

(800) 292-9326 OR (310) 538-9440--FAX:(800) 232-9326 OR (310) 715-9188

07-

CAM END TOILET
PAPER ROLLER

WHITE TOILET PAPER ROLLER CAM END Part number shall be 07-PR CHROME TOILET PAPER ROLLER CAM END Part number shall be 07-CR



CONSTRUCTION: Cam end toilet paper roller is constructed of injection molded polystyrene plastic and has a coiled metal spring that keeps it at maximum length when in the extended position. Available in white or chrome plastic.

OPERATION: Spring loaded - Compresses to fit brackets of toilet paper holder or dispenser.

INSTALLATION: Place roller inside new roll of paper-Compress to fit brackets of toilet paper holder/dispenser and can be used with the theft-proof cover #CW07-TPR.

SPECIFICATION: Cam end toilet paper roller is constructed of injection molded polystyrene plastic and is designed to fit the standard hole size that is encountered in the replacement roller market.

Available in White(#07-PR) or Chrome(#07-CR)

2/98