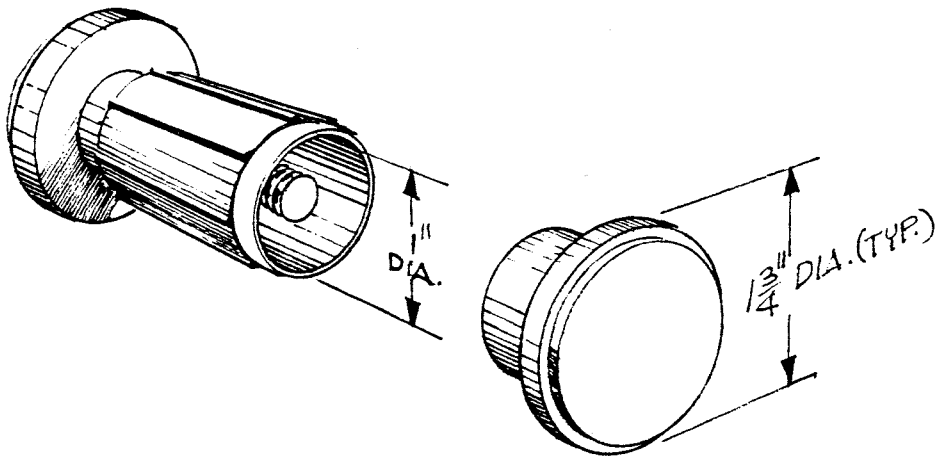


CHROME PLATED ZAMAK ADJ SHOWER ROD FLANGE

Part number shall be 101



CONSTRUCTION: The #101 shower rod flange is chrome plated die-cast zamak with rubber bumpers on each end.

OPERATION: There are two pieces (1 pair): one end of the #101 Adjustable Shower Rod Flange is not moveable and the other end screws.

INSTALLATION: One end is fixed to a 1" shower rod and the other end is adjustable by turning clockwise to contract or counter-clockwise to expand creating a tension to hold rod in position.

SPECIFICATION: The #101 shower rod flange is chrome plated die-cast zamak with rubber bumpers on each end.