

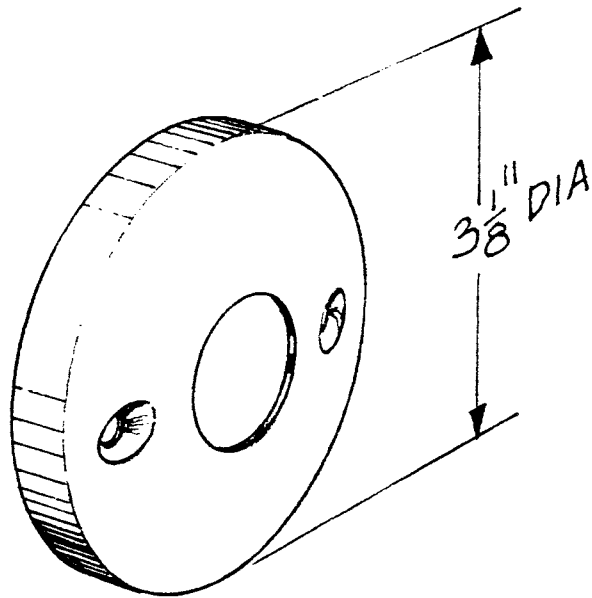
STAINLESS STEEL SHOWER ROD FLANGES

(-Specify hole size)

Part number shall be _____

#104A=1"

#105A=1 1/4"



CONSTRUCTION: 1"(104A) or 1 1/4"(105A) hole size x 3 1/8" diameter #304 satin stainless steel .028 (22gauge) with 8x1 1/2" stainless steel mounting screws.

OPERATION: The stainless steel shower rod flange is designed to be used when the specification calls for an exposed screw stainless steel shower rod flange. Order shower rod separately.

INSTALLATION: Mount the shower rod and flanges at the specified height above the floor with four (4) each stainless screws provided.

SPECIFICATION: The #104A or #105A shower rod flanges are constructed of #304 satin stainless steel shall be of .028 (22gauge) thickness.