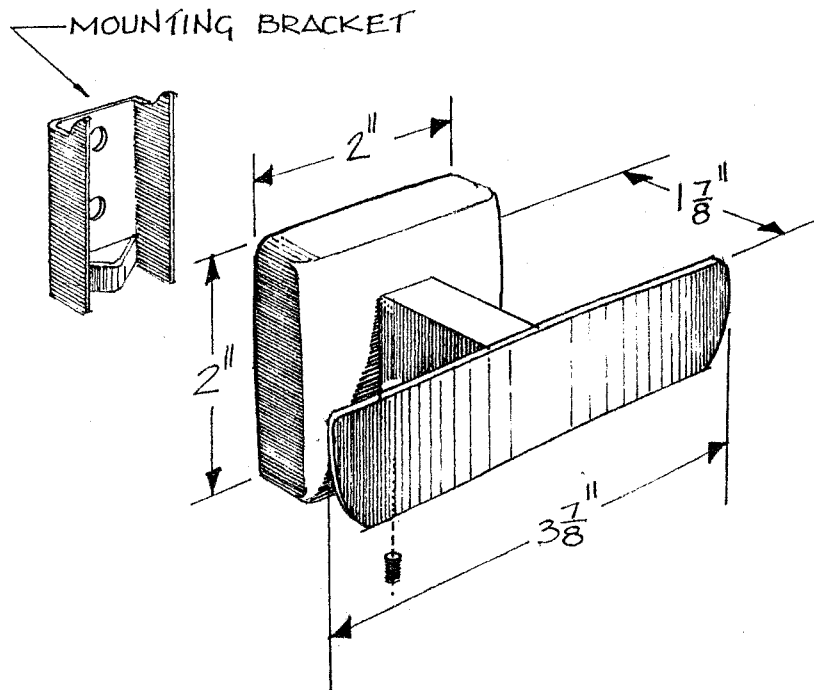


DOUBLE ROBE HOOK

Specify 5154 (satin SS) or B5154 (polished SS)



CONSTRUCTION:

Inner wall flange- 16 ga. type 304 stainless steel.
Cover wall flange- 22 ga. type 304 stainless steel.
Projecting post- 22 ga. type 304 stainless steel.
Hook- 12 ga. type 304 stainless steel.
Wall plate- 16 ga. type 304 stainless steel.
All components welded construction designed for
concealed screw mounting.

INSTALLATION:

Secure stainless steel wall plate to stud or solid backing
with mounting screws provided. Slip double robe hook
over wall plate and tighten set screw until secure.

SPECIFICATION:

Double robe hook shall be model 5154 (satin SS) or
B5154 (polished SS) by CWECO, Inc.