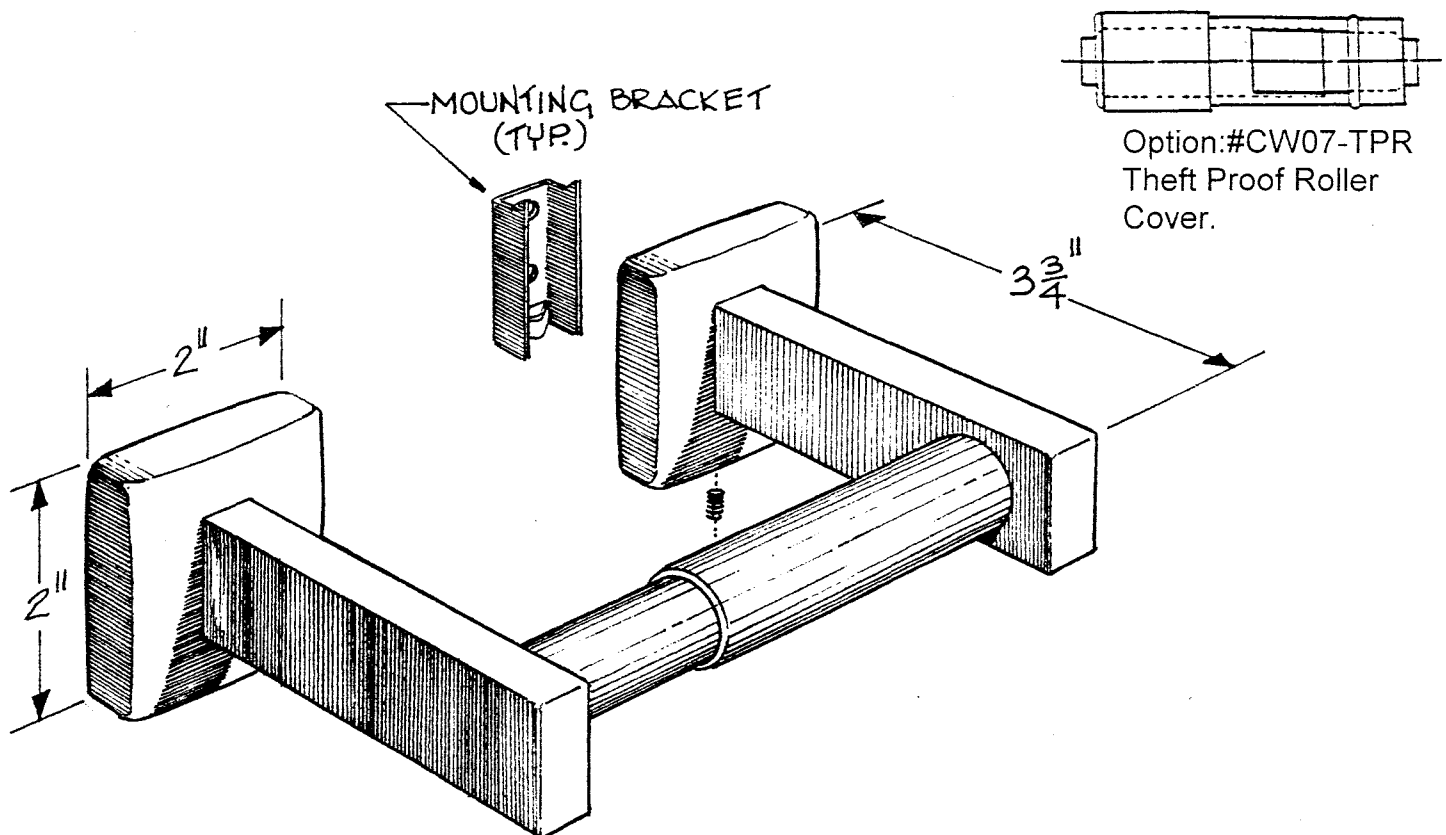


SS TOILET PAPER HOLDER/WHITE ROLLER



CONSTRUCTION: END BRACKETS are type 304 brite stainless steel.
MOUNTING BRACKETS are type 304 stainless steel.
ROLLER is white plastic.

OPERATION: Stainless steel toilet paper post brackets provide a firm support for the toilet paper and white roller. The roller compresses to allow for a new roll to be installed.

INSTALLATION: Secure mounting brackets to studs or solid backing with screws (included) at holes provided. Place toilet paper brackets over mounting plates and fasten set screws.

SPECIFICATION: Stainless steel Toilet Paper Holder Cweco #B5161 shall be constructed of type 304 brite stainless steel and furnished with a white plastic roller.