

# Cweco

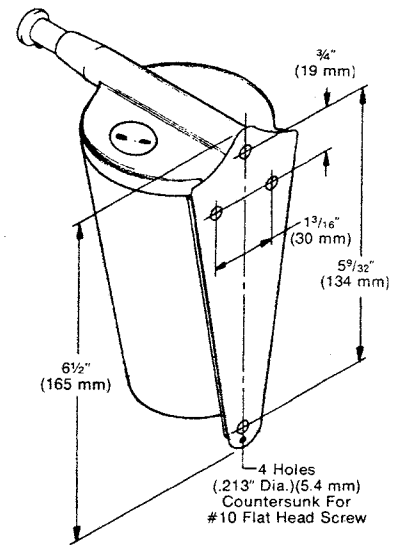
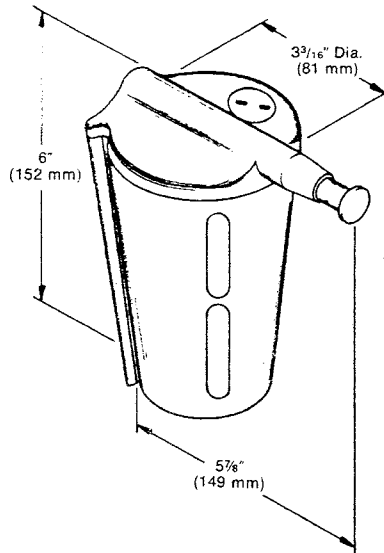
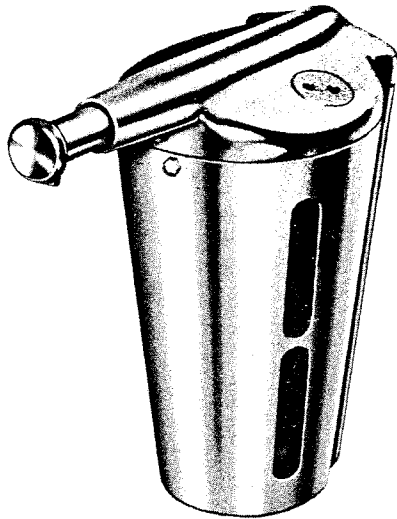
Commercial Washroom Equipment Company Incorporated

P.O. Box 2456, Gardena, CA 90247-0456 310-538-9440  
1-800-292-9326 Outside CA FAX: 310-715-9188

FAX 1-800-232-9326

**CW-1** Lather  
**CW-11** Liquid

- Urn Type Liquid Soap Dispenser
- Surface Mounted



**CONSTRUCTION:**

**CONTAINER CASE** of high polish chrome plated brass. Filler hole cover secured to unit with chain.

**SOAP CONTAINER** is polyethylene.

**SOAP VALVE** piston assembly of 18-8 stainless steel. Rear valve assembly of Delrin with Neoprene seal.

**WALL PLATE** is full length, heavy gauge plated steel.

**CAPACITY:**

12 oz. liquid soap.

**OPERATION:**

Pump type valve dispenses a measured amount of liquid soap with each stroke. Viewing slots in case reveal soap level. Filler hole cover, with locking chain, requires special wrench to open.

**INSTALLATION:**

Secure separate mounting bracket to wall. Attach soap dispenser.

**GUIDE SPECIFICATION:**

Surface mounted soap dispenser shall have pump type valve with 1/2" diameter 18-8 stainless steel piston assembly in chrome plated housing. Soap level in container shall be visible through viewing slots in chrome plated brass case. Dispenser shall have completely concealed mounting and vandal-proof filler hole cap.

Capacity: 12 oz. liquid soap.

Overall dimensions 3-3/16" W x 6" H x 5-7/8" D (from wall to end of valve).

**Surface Mounted Liquid Soap Dispenser shall be CWECO model CW-1 lather or CW-11 Liquid.**