

Cweco

Commercial Washroom Equipment Company Incorporated

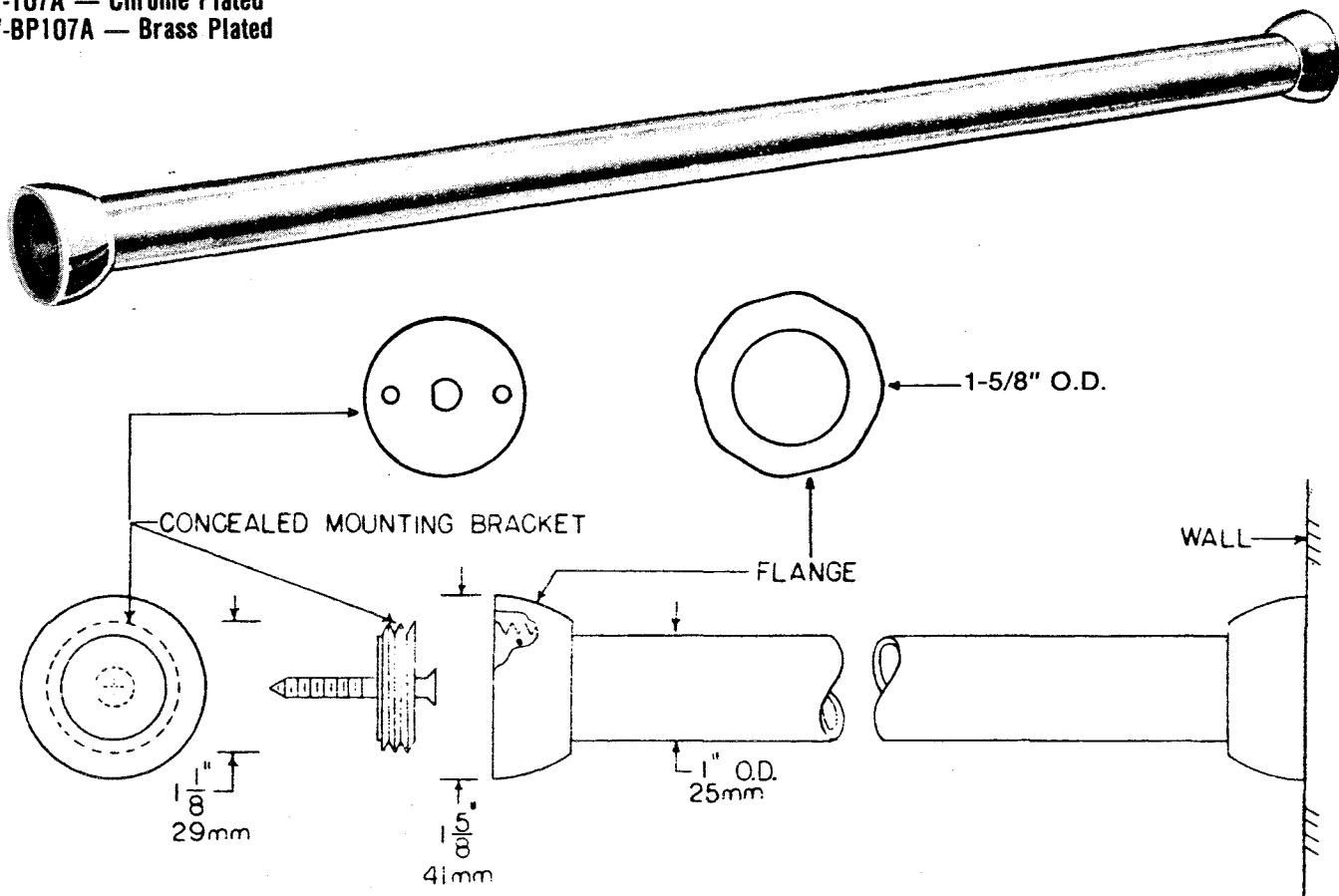
P.O. Box 2456, Gardena, CA 90247-0456 310-538-9440
1-800-292-9326 Outside CA FAX: 310-715-9188

FAX 1-800-232-9326

CW-107A CONCEALED

MODEL CW-107A HEAVY DUTY 1" SHOWER CURTAIN ROD CONCEALED MOUNTING FLANGE

CW-107A — Chrome Plated
CW-BP107A — Brass Plated



MATERIALS: Flanges — 1 $\frac{5}{8}$ " (41mm) diameter. Chrome plated die cast Zamak or Brass Plated.
Concealed Mounting Plates — Die cast Zamak.

INSTALLATION: Position Mounting Plates against wall and secure with #10 pan head sheet metal screws. For installation on stud walls, provide concealed backing, at screw points. Backing must comply with local building codes. If concealed backing is not provided secure to wall with toggle bolts. For solid walls, use fiber plugs or expansion bolts. Slide Flanges onto Curtain Rod. Screw Threaded Flanges onto Concealed Mounting Plates.

Designer's Note: For added safety, a Center Support is recommended on Curtain Rods 72" (1829 mm) long. Center Supports are available as optional accessories.